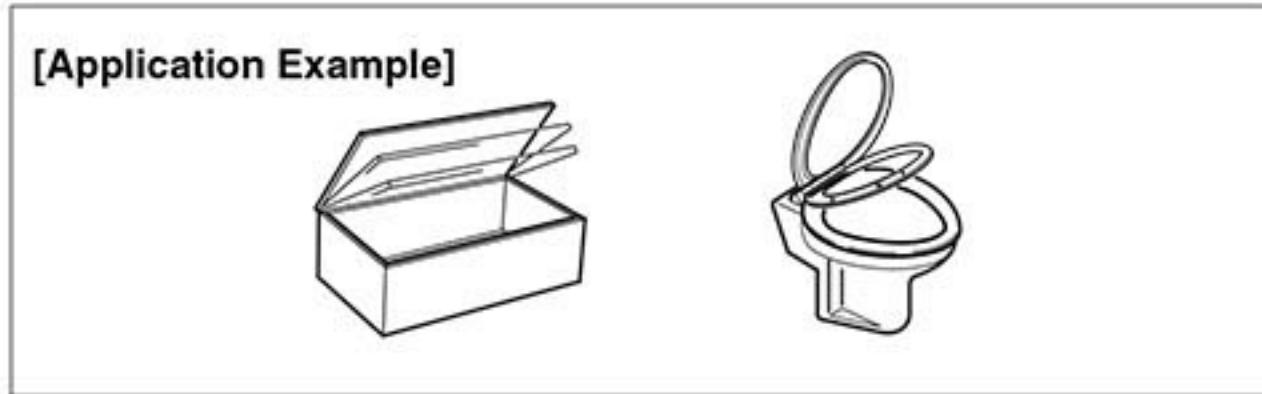


TORQUE DAMPER UDH-16



- Patented technology allows compact design.
- Can be used as a single unit.
- Keeps lids / doors from slamming shut.
- Left-handed and right-handed can be distinguished according to the colour of shaft. In addition, slow rotation type changed the shape of shaft.
- With marking colour at the body to recognise the torque moment. Refer to the following for details.
- Ideal for applications requiring flap slow down. Helps prevent noise and impact.
- Standard and progressive models available.

Video Link



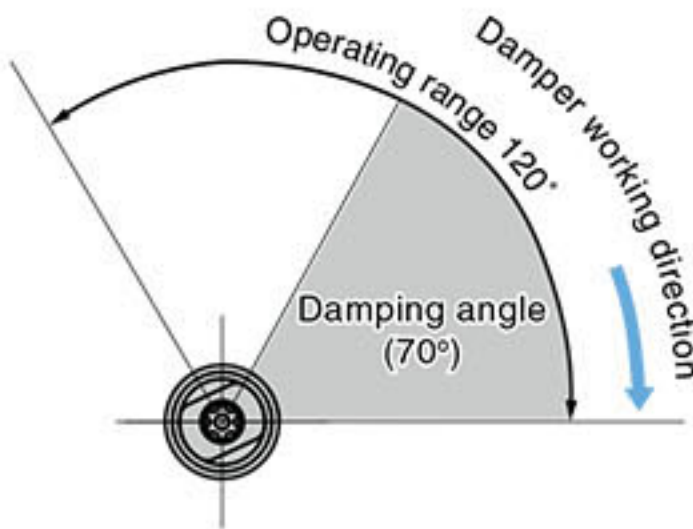
[Applications]

- Toilet seat / lid, cover for maintenance, etc.

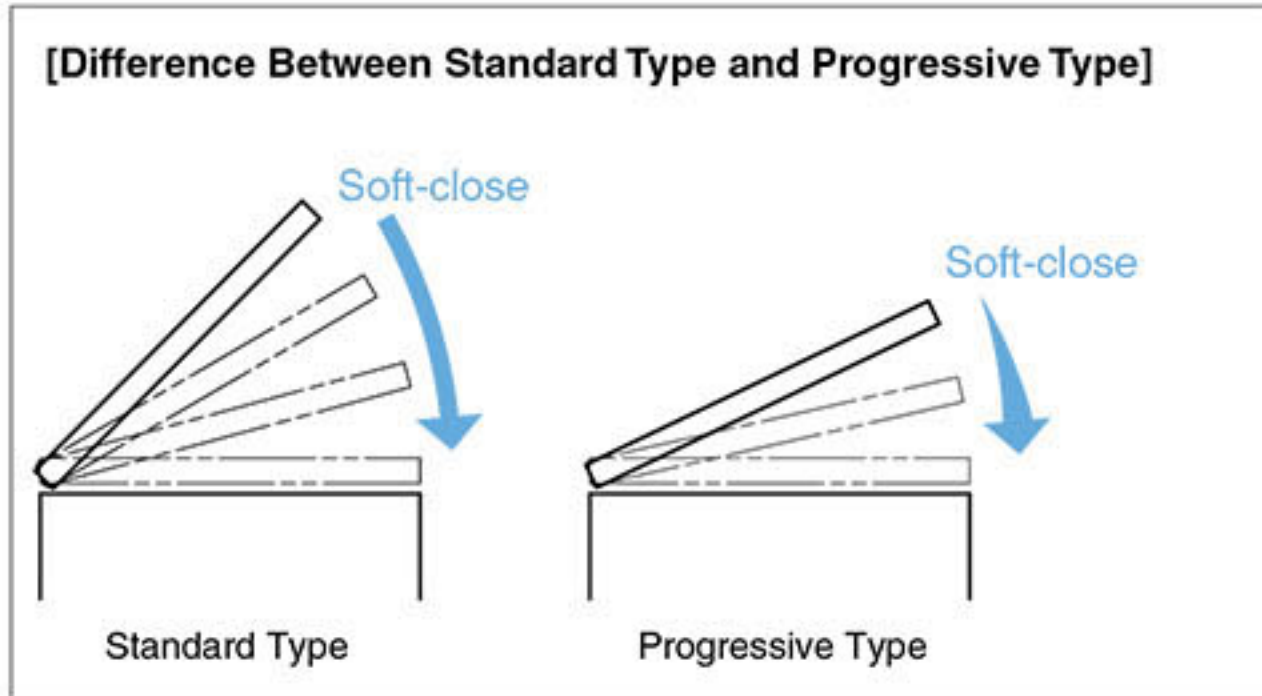
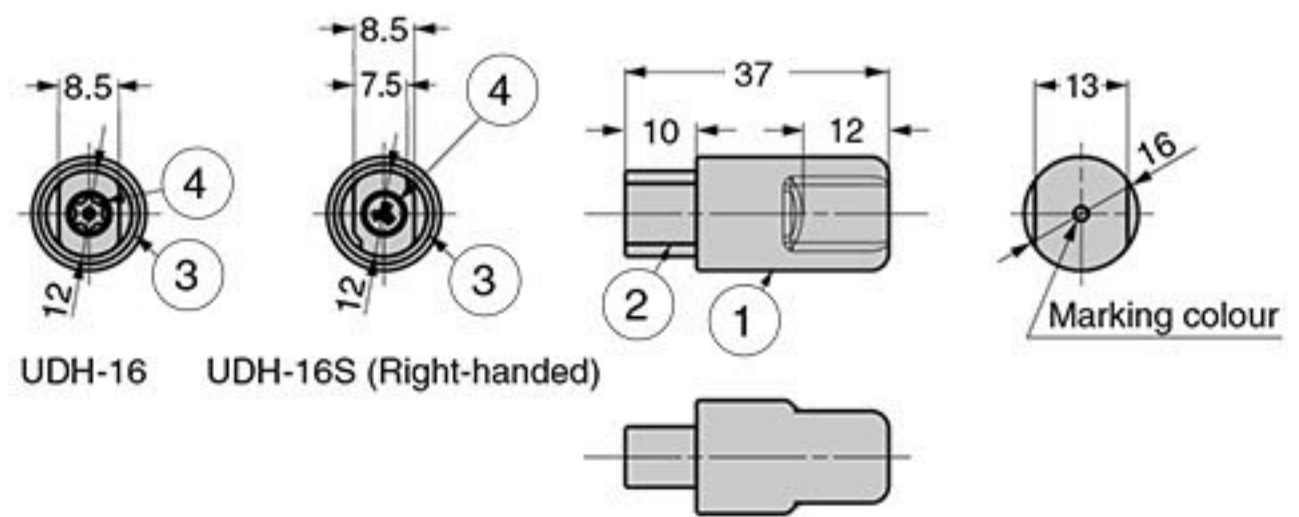
[Remarks]

- When mounting on sheet metal, ensure the edge of the plate is rounded to prevent damage to the damper.
- Do not apply any vertical load on the shaft.

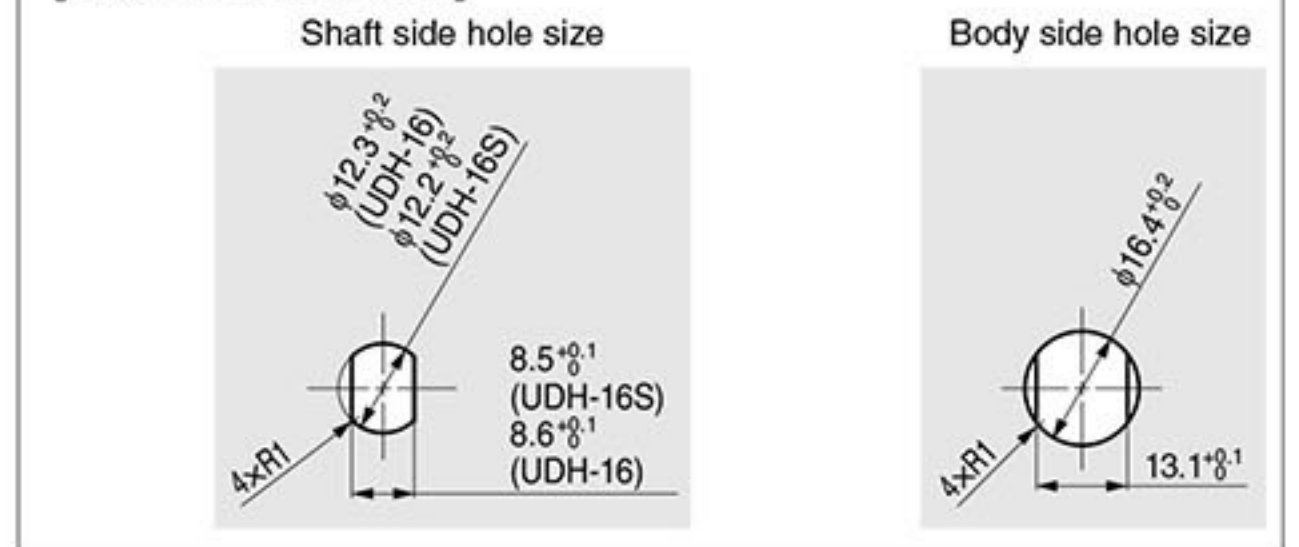
Damper Operating Angle



Right-handed: damper works when the shaft is turned clockwise (this figure)
 Left-handed: damper works when the shaft is turned counterclockwise (symmetrical to this figure)



[Cut Out Dimensions]



No.	Part Name	Material	Finish / Colour
①	Body	Stainless Steel	-
②	Shaft	PBT	Left-handed: Natural, Right-handed: Grey
③	Cover Ring		Black
④	Screw	Stainless Steel	-

[Standard Type]

RoHS	CAD	Item Code	Item Name	Type	Damper Working Direction	Marking Colour	Torque N·m/pc	Torque kgf·cm/pc	Weight (g)	Carton (pcs)
✓	3D	170-011-717	UDH-16SAMS	Left-handed	Counterclockwise	Blue	1~1.7	10.2~17.3	16	200
✓	3D	170-011-719	UDH-16SBMS	Right-handed	Clockwise					200
✓	3D	170-011-718	UDH-16SAHS	Left-handed	Counterclockwise	Red	1.7~2.5	17.3~25.5		200
✓	3D	170-011-720	UDH-16SBHS	Right-handed	Clockwise					200

[Progressive Type]

RoHS	CAD	Item Code	Item Name	Type	Damper Working Direction	Marking Colour	Torque N·m/pc	Torque kgf·cm/pc	Weight (g)	Carton (pcs)
✓	3D	170-090-829	UDH-16AMS-G	Left-handed	Counterclockwise	Green	1~1.7	10.2~17.3	16	200
✓	3D	170-090-831	UDH-16BMS-G	Right-handed	Clockwise					200
✓	3D	170-090-830	UDH-16AHS-G	Left-handed	Counterclockwise	Black	1.7~2.5	17.3~25.5		200
✓	3D	170-090-832	UDH-16BHS-G	Right-handed	Clockwise					200

TORQUE HINGES

DAMPER HINGES

LIFT ASSIST HINGES

DETENT HINGES

CONCEALED HINGES

BUTT HINGES

PIANO HINGES

STEP HINGES

LIFT-OFF HINGES

PIVOT HINGES

SPRING HINGES

CLEAN ROOM HINGES

HINGES FOR ALUMINUM FRAME

DROP HINGES

GLASS DOOR HINGES

SPECIAL HINGES